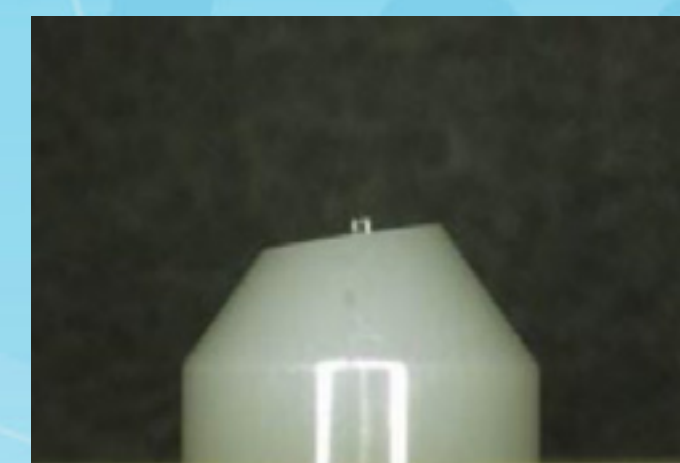


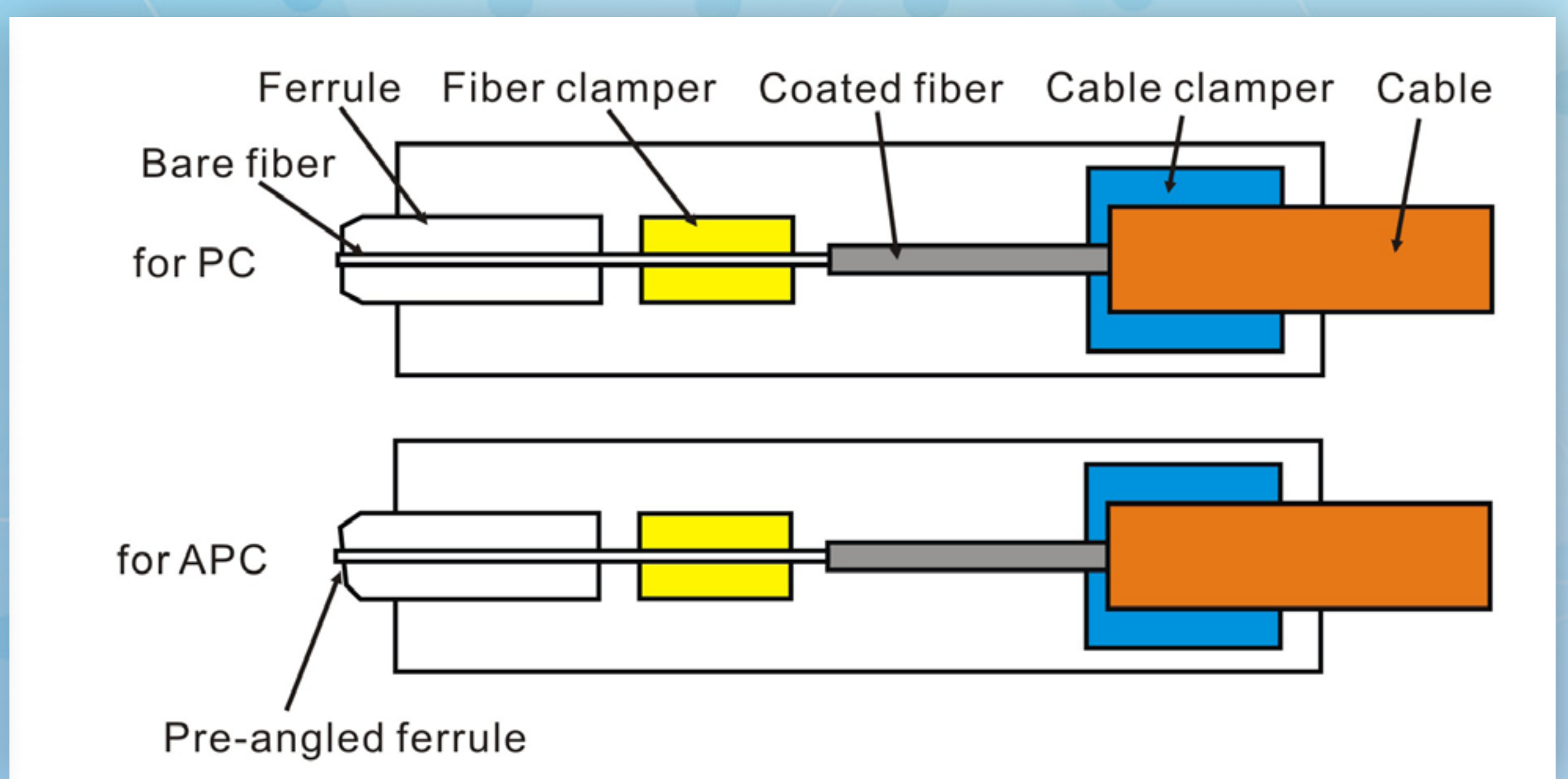
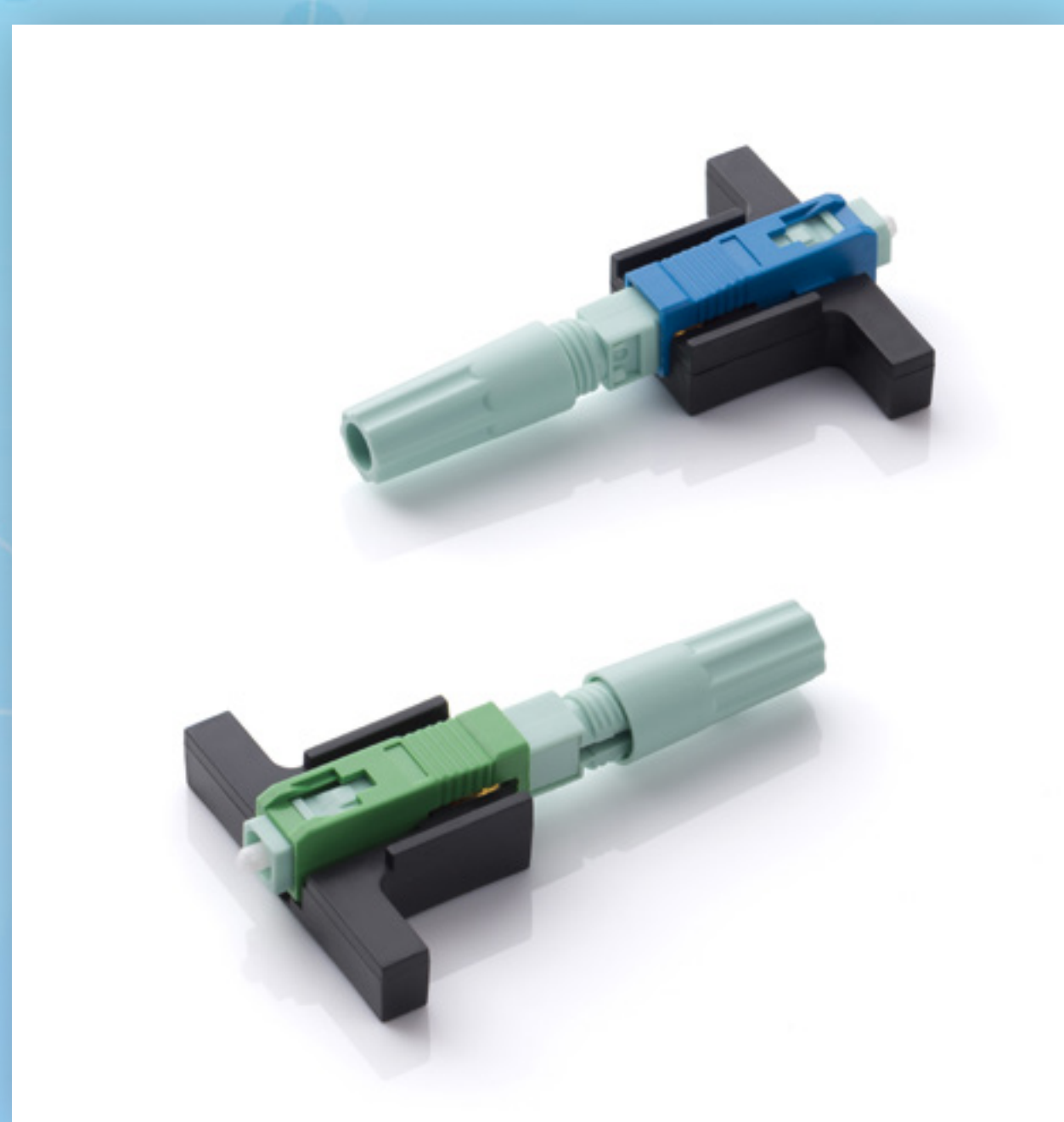
# FIELD INSTALLABLE SOLUTION WITH THE BEST OPTICAL PERFORMANCE & PRODUCT RELIABILITY



$RL \geq 65\text{dB}$  (APC),  $\geq 50\text{dB}$  (UPC)  
 $IL \leq 0.3\text{dB}$   
 Field Polishing Completed in Seconds  
 Water and Electrical Power are NOT Needed  
 Polishing Films are Reusable  
 Labor & Material Cost are Drastically Reduced



The end face of the fiber is set to be protruded from the ferrule by around  $70\mu\text{m}$  and is polished to around  $20\mu\text{m}$ .



Connect the plug to the field polishing tool, pull the retractable string until its end, and complete the polishing by releasing the string for it to retract.